

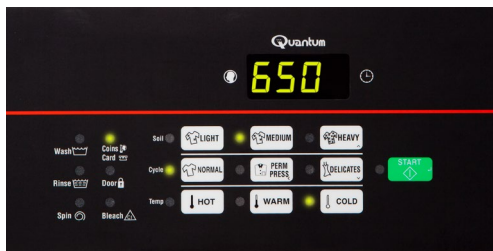
QUANTUM® GOLD, QUANTUM SILVER

## COMMERCIAL WASHER-EXTRACTOR SCN030

### Built for Reliable Performance

Speed Queen machines are built specifically for the commercial environment. We use steel where others use plastic. Our world-class test lab rigorously pushes our products far beyond the conditions they'll face in the field. We believe in being there when our customers need us most. And we go the extra mile at every point of the manufacturing process to ensure that our machines reflect that belief. With Quantum controls it's easy to customize your laundry operation to meet your needs. This revolutionary technology unites equipment controls, programming and revenue management into one versatile system.

- Advanced Inverter Drive
- Faster Extraction Speed
- Leak Detection
- Rugged Frame Design
- Quiet Performance
- Four Compartment Dispenser
- Automatic Door Lock
- Secure High-Capacity Coin Vault
- Commercial Grade Bearings, Shaft and Seal
- Ergonomic Door Handle
- Front Service Access



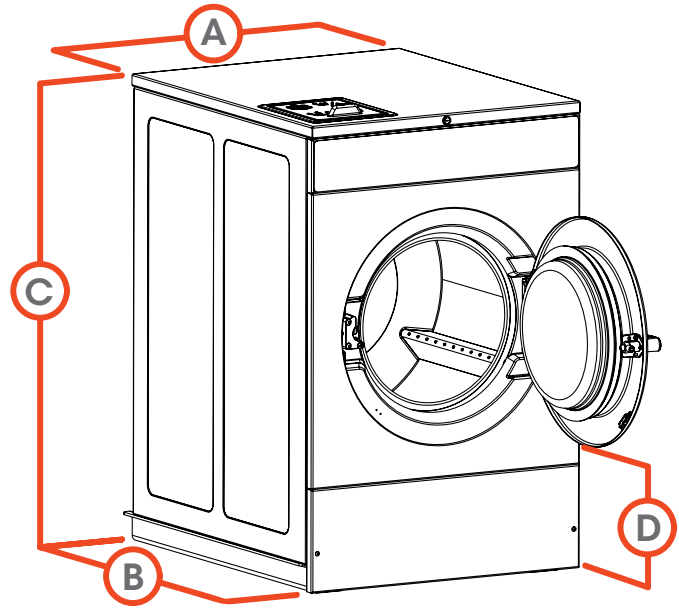
Cutting edge Quantum control system from Speed Queen gives you the freedom to manage laundry your way and the power to achieve unmatched levels of revenue. This revolutionary technology provides users with more cycle choices than ever, offers unprecedented options to help lower operating costs and incorporates tools and options to increase revenue.

SPECIFICATIONS

# COMMERCIAL WASHER-EXTRACTOR

## SCN030

MODEL	SCN030	
CONTROL OPTION	Quantum Gold Quantum Silver	
COLOR	Stainless Steel	
CAPACITY - lb (kg)	30 (13.6)	
CYLINDER DIAMETER - in (mm)	24 (610)	
CYLINDER DEPTH - in (mm)	16 (406)	
CYLINDER VOLUME - cu. ft. (liters)	4.2 (119)	
DOOR OPENING SIZE - in (mm)	14.34 (364)	
WATER INLET CONNECTION - in (mm)	.75 (19) - 2 inlets	
DRAIN CONNECTION SIZE - in (mm)	2 (51) - 1 drain outlet	
DRAIN HEIGHT TO FLOOR - in (mm)	4.5 (114)	
DRIVE MOTOR POWER - HP (kW)	1 (.75)	
TOTAL NUMBER OF SPEEDS	9	
CYLINDER SPEEDS RPM (G-Force)	Gentle	34 (0.4)
	Wash	48 (0.8)
	Distribution	86 (2.5)
	Very Low	282 (27)
	Low	485 (80)
	Medium	542 (100)
	High	606 (120) **
Very High	664 (150) **	
Ultra High	766 (200) **	
Voltage Wires/Circuit Breaker - FLA ***	B	120/60/1-20A
	X	200-208/220-240/60/1/3-15A *
	N	440-480/60/3-15A
NET WEIGHT - lb (kg)	460 (209)	
SHIPPING WEIGHT - lb (kg)	495 (225)	
SHIPPING DIMENSIONS APPROX. - in (mm)	Width	31.5 (800)
	Depth	38.3 (973)
	Height	51.3 (1303)
AGENCY APPROVALS	cETL <sub>us</sub> .CE ****	



A.	OVERALL WIDTH - in (mm)	29 (737)
B.	OVERALL DEPTH - in (mm)	34.57 (878)
C.	OVERALL HEIGHT - in (mm)	44.95 (1142)
D.	FLOOR TO DOOR OPENING - in (mm)	14 (356)

For the most accurate information, the installation guide should be used for all design and construction purposes. Due to continuous product improvements, design and specifications subject to change without notice. The quality management system of Alliance Laundry Systems' Ripon facility has been registered to ISO 9001:2008.

\* 208 application requires jumper installation provided with unit.

\*\* High, Very High, and Ultra High Spin Speeds are available on the Quantum Gold models only.

\*\*\* Circuit breaker and amp draw data shown are for models without electric heat. Consult factory for other configurations. Manufacturer strongly recommends using a circuit breaker instead of fuses. Use 3-pole circuit breakers for 3-phase machines.

\*\*\*\* Agency approvals may vary depending on configuration. Consult factory for details.